

Polara™ LED Disc Lights

Polara LED Disc Lights provide bright, high-quality light in an ultra-slim form for compact spaces like cabinets, shelves, and display cases. The Polara Disc provides easy installation for lighting needed in a visible space, without the added labor of recessing.

The Polara Disc incorporates edge lighting technology and premium etched lens diffusion for a slim hotspot-free lighting solution.



3 inch - Item #	Kelvin temp. (CCT) *	Lumens	CRI	Finish
AL-04-05-1201-WH	2700K	130	92	white
AL-04-05-1202-BL	2700K	130	92	black
AL-04-05-1204-BN	2700K	130	92	brushed nickel
AL-04-05-1211-WH	3000K	125	93	white
AL-04-05-1212-BL	3000K	125	93	black
AL-04-05-1214-BN	3000K	125	93	brushed nickel
AL-04-05-1221-WH	3500K	135	95	white
AL-04-05-1222-BL	3500K	135	95	black
AL-04-05-1224-BN	3500K	135	95	brushed nickel

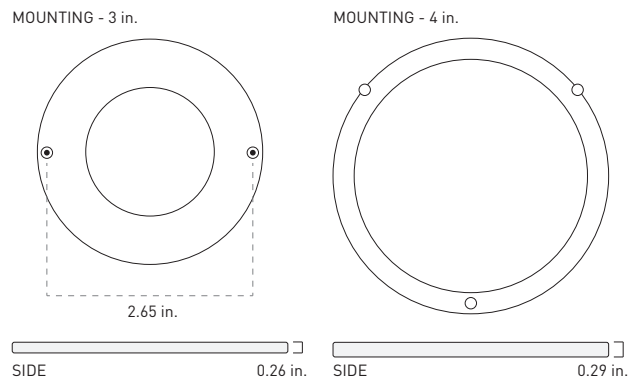
4 inch - Item #	Kelvin temp. (CCT) *	Lumens	CRI	Finish
AL-04-10-1201-WH	2700K	281	95	white
AL-04-10-1202-BL	2700K	281	95	black
AL-04-10-1204-BN	2700K	281	95	brushed nickel
AL-04-10-1211-WH	3000K	310	95	white
AL-04-10-1212-BL	3000K	310	95	black
AL-04-10-1214-BN	3000K	310	95	brushed nickel
AL-04-10-1221-WH	3500K	313	95	white
AL-04-10-1222-BL	3500K	313	95	black
AL-04-10-1224-BN	3500K	313	95	brushed nickel

Specifications



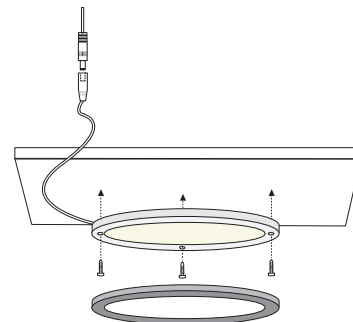
Available Sizes	3 in. and 4 in. (dia.)
Material	Aluminum
Power Consumption	2W (3 in.) / 3.5W (4 in.)
Input Voltage	12V DC
Beam Angle	120°
Lead Wire	36 in. w/female DC plug
Operating Temperature	-4°F to 104°F, relative humidity
Certifications	ETL, RoHS, CE
Warranty	3 years

Dimensions



Installation

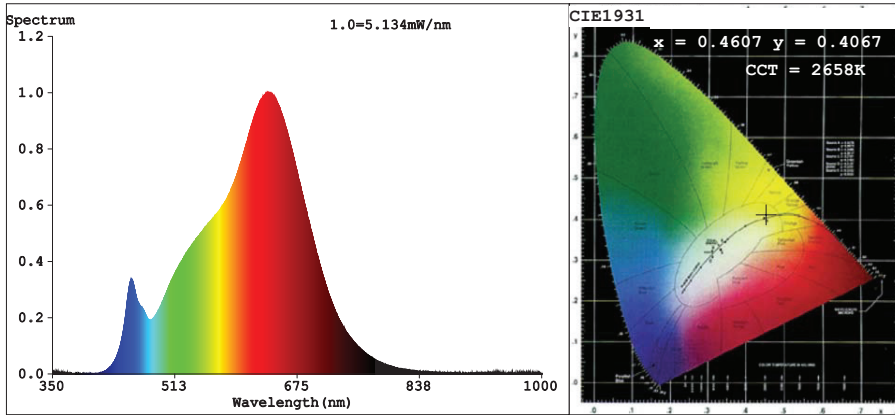
1. Remove magnetic face plate from fixture.
2. Secure the fixture to the surface with the included screws.
3. Snap the face plate to the fixture, threading the cable through the notch in the face plate.



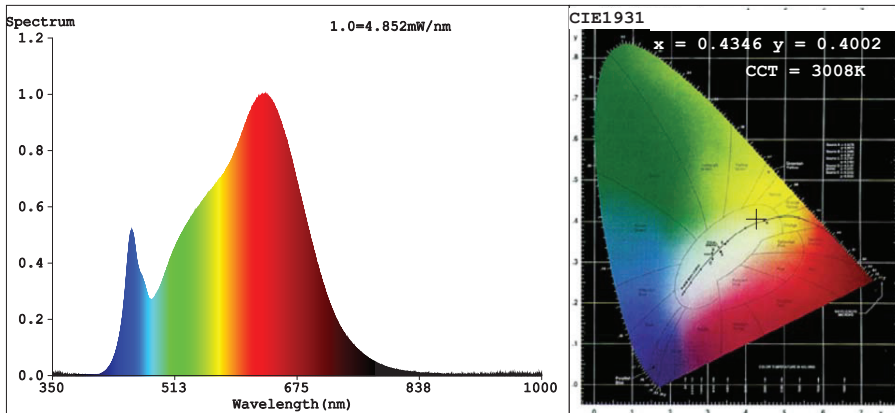
Safety & Tips

- **DO NOT CONNECT LED PUCK LIGHTS DIRECTLY TO 120V AC POWER.**
- This fixture should be powered only by a Class 2, UL Listed 12V DC power supply.
- Do not overload the 12V DC power supply. Overloading the power supply may cause shorting, overheating, and possibly fire.
- Do not expose this fixture to direct moisture.
- Do not cut or otherwise alter the DC plug attached to this fixture.

2700K



3000K



3500K

